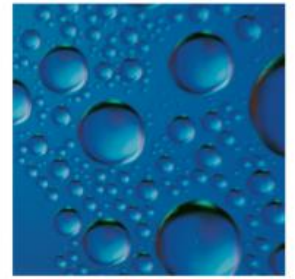
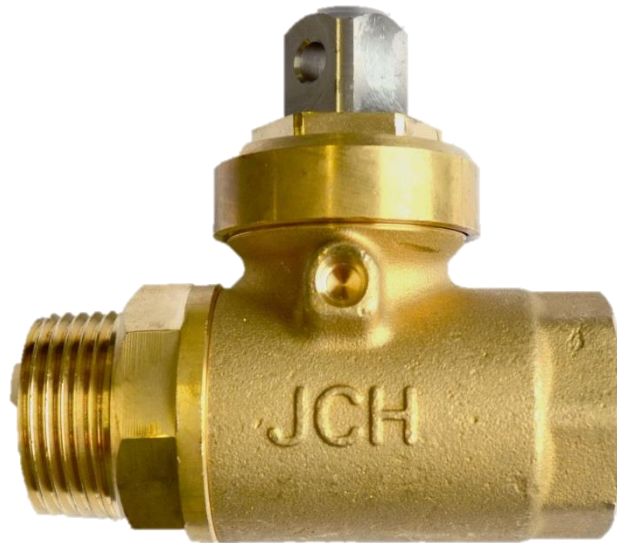


# Ballvalveuglehane Type 745515

with external and internal threads, reduced bore  
VA and SITAC approved



Version 0116



## Ballvalve with internal and external threads

### Application:

Stopvalve for watersupply, applicable for drilling under pressure

### Test:

JCH 100% test

### Accessories:

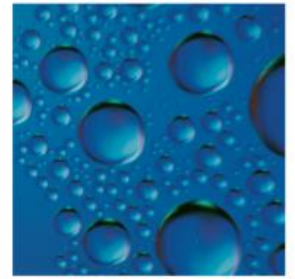
Installation units No: 145221-000 and No: 145223-000

The installation units can be ordered in two different sizes:  
900-1500mm and 1100-1900mm

## Materiale

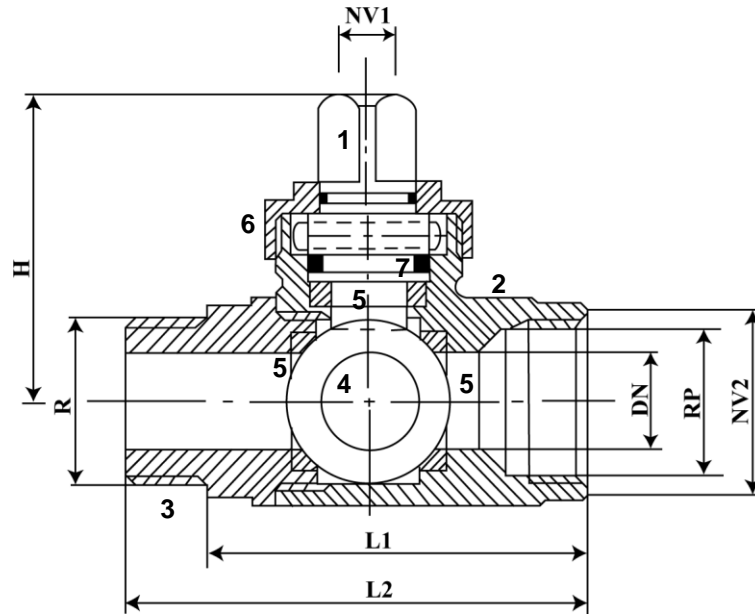
Body:	DZR Brass CW625N
Nippel:	DZR Brass CW625N
Spindle:	Stainless steel - AISI 303
Spindle gasket:	SEDI PTFE + O-rings of NBR rubber
Ball:	Stainless steel - AISI 316
Top gasket:	NBR O-rings
Top union::	DZR Brass CW602N
Gasket inside:	SEDI PTFE

# JCH ballvalve Type 745515 with 16mm square head spindle



Version 0116

JCH ballvalve type 745515 is applicable as stopvalve in watersupplys.  
The pipeconnections gives many different opportunities, ballvalve type 745515 is quickly and easily to install and use, made of the finest and best materials.



## Components

- 1. Spindle
- 2. Body
- 3. Nippel
- 4. Ball
- 5. SEDI PTFE gasket
- 6. Union nut
- 7. NBR O-rings

Order no.	R "	DN mm	L1 mm	L2 mm	H mm	NV1 mm	NV2 mm	weight kg
745515-006	3/4"	15	61	75	58	16	32	0,6
745515-008	1"	20	79	95	61	16	39	0,9
745515-010	1 1/4"	25	89	107	66	16	42	1,3
745515-011	1 1/2"	32	100	120	71	16	56	1,6
745515-012	2"	40	106	128	81	16	70	2,6

**JCH A/S**

Karetmagervej 21 DK-7100 Vejle Tel. +45 75 85 84 08 Fax +45 75 85 80 82  
CVR-nr. 87 56 20 18 | CVR-nr. DK 15 30 02 72