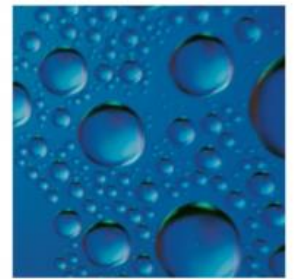


# Gate valve Type 60



Version 0116



**Gate valve Type 60**  
made of gun bronze

**Application:**  
Cold and hot water supply systems, central and district heating plants, irrigation plants and sea water.

**Test:**  
pressure test: seat: 16 bar body: 24 bar

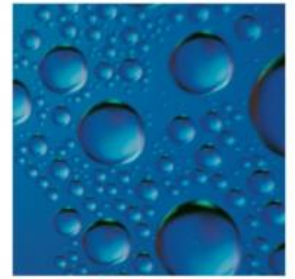
**Accessories I :**  
Handwheels for all sizes.  
Union nut complete:  
N7978646 fits : 3/8" – 1 1/4"  
N7978647 fits : 1 1/2"- 2"

## Materiale

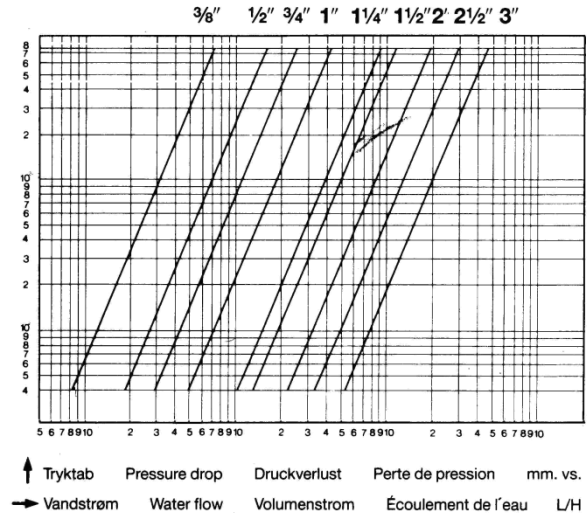
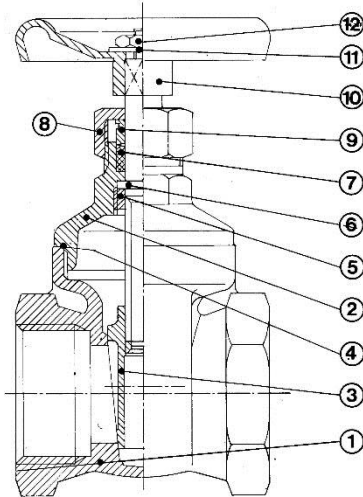
Bonnet:	Gun bronze
Body:	Gun bronze
Stem:	DZF brass CW602N
Stemgasket:	Teflon PTFE
Wedge:	Gun bronze
Handwheel:	3/8"-1 1/4" and 2 1/2" –3" pressed steel 1 1/2" and 2" plastic
Union nut:	DZF brass CW602N

# Gate valve Type 60

made for use in cold and hot water supply systems, central and district heating plants, irrigation plants and sea water.

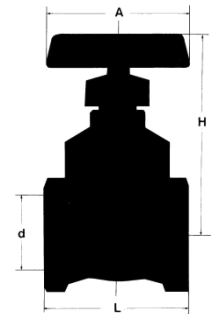


Version 0116



## Components

- |                              |                 |                  |
|------------------------------|-----------------|------------------|
| 1.Body                       | 6.Stem          | 11.Marking plate |
| 2.Bonnet                     | 7.Gland packing | 12.Nut           |
| 3.Wedge                      | 8.Union nut     |                  |
| 4.Joint (glued with Loctite) | 9.Gasket        |                  |
| 5.Locking screw              | 10.Hand wheel   |                  |



Order No.	DN	D mm	L mm	A mm	H mm	Kv	Weight Kg
410020-003	3/8"	13	42	60	71	8	0,240
410020-004	1/2"	13	42	60	71	18	0,260
410020-006	3/4"	19	48	60	81	27	0,370
410020-008	1"	25	52	60	98	46	0,480
410020-010	1 1/4"	31	59	60	104	100	0,670
410020-011	1 1/2"	38	63	70	122	125	0,900
410020-012	2"	48	70	80	143	210	1,370
410020-013	2 1/2"	63	86	120	195	325	2,750
410020-014	3"	76	96	120	225	500	3,900

**JCH A/S**

Karetmagervej 21 DK-7100 Vejle Tel. +45 75 85 84 08 Fax +45 75 85 80 82  
 CVR-nr. 87 56 20 18 | CVR-nr. DK 15 30 02 72